

# Oman Energy Storage Power Container

---





## Oman Energy Storage Power Container

---

### [Energy storage a key goal for Oman: H.E. Al Aufi](#)

MUSCAT: Having set in motion an ambitious plan to harness solar and wind resources for low-carbon electricity generation, the Sultanate of Oman is now moving to ...

### [Product Information](#)



### **ABB containerized energy storage offers plug-in battery power for ...**

o The Containerized Energy Storage System (ESS) integrates sustainable battery power for existing ships in a standard 20ft container o All-inclusive pre-assembled unit for ...

### [Product Information](#)



### **Enhancing electricity supply mix in Oman with energy storage systems...**

One possible solution for such a problem is to utilise large-scale energy storage such as pumped-hydroelectric, compressed air, or Hydrogen storage. This paper aims to ...

### [Product Information](#)

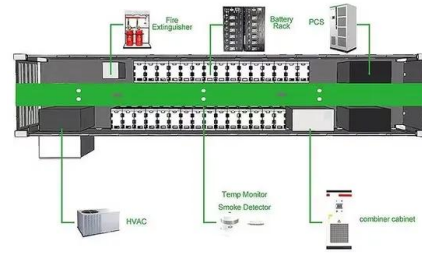


### [OMAN POWER GRID ENERGY STORAGE EQUIPMENT](#)

Oman's sun-baked deserts could power the entire country if we just knew how to store that energy. That's where Oman power grid energy storage manufacturers come into play. With ...



[Product Information](#)



**Sungrow Releases the Groundbreaking PowerTitan 3.0 Energy Storage**

The PowerTitan 3.0 Energy Storage System Platform, available in 10ft Flex, 20ft Class, and 30ft Plus versions, supports durations of 2-12 hours. The 30ft PowerTitan 3.0 Plus ...

[Product Information](#)

[Oman energy storage battery container technology](#)

The EnerC+ container is a battery energy storage system (BESS) that has four main components: batteries, battery management systems (BMS), fire suppression systems ...

[Product Information](#)



[Muscat State New Energy Storage Project: Powering Oman's ...](#)

Designed for policymakers, renewable energy developers, and tech-savvy environmentalists, this megaproject could become the Middle East's blueprint for grid resilience.

[Product Information](#)





### [Oman Identifies 10 Sites for Potential Pumped Hydro Storage](#)

Authorities have identified 10 to 11 locations across the country as potential sites for pumped hydro storage facilities, which could provide up to 18 hours of energy storage.

### [Product Information](#)



### [Muscat Energy Storage Announcement: Powering Oman's ...](#)

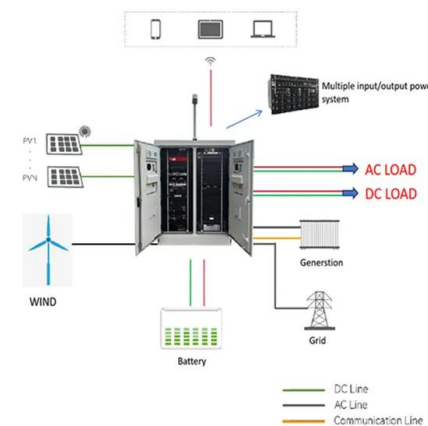
Why the Muscat Energy Storage Announcement Matters (and Why You Should Care) a sun-baked nation where ancient frankincense trade routes now hum with lithium-ion ...

### [Product Information](#)

### **Muscat Energy Storage Container Solutions: Powering Oman's ...**

With solar capacity growing 23% year-over-year (Oman Energy Authority, 2024), the real challenge isn't generation--it's storage. Enter Muscat energy storage containers, the modular ...

### [Product Information](#)



### **Oman Energy Master Plan 2040**

Inevitably that leaves officials grappling about the long-term viability of the economy and the best energy sources and strategies to meet its needs and drive economic growth. should Oman ...

### [Product Information](#)



### [Energy storage container for storing the solar energy](#)

The abundantly available solar energy can be the source of electric power at our place. One needs to use the energy storage container to store the solar energy

#### [Product Information](#)



### [Siemens Energy - A global leader in energy technology](#)

We support companies and countries to reduce emissions across the energy landscape - for a more reliable, affordable and sustainable energy system. Five energy transition strategies to ...

#### [Product Information](#)

### [Oman smart energy storage cabinet design](#)

MUSCAT: Having set in motion an ambitious plan to harness solar and wind resources for low-carbon electricity generation, the Sultanate of Oman is now moving to develop its energy ...

#### [Product Information](#)



### [Container Energy Storage BESS: Best 1 For Power ...](#)

Discover the potential of Container Energy Storage BESS in our comprehensive blog post. Understand its transformative effect on power systems and the world.

#### [Product Information](#)



## ESS Series - Energy Storage Systems

The energy storage system has the feature of high energy density and flexible configuration and can be applied for user-side energy storage, power generation-side energy storage, distributed ...

[Product Information](#)



### First-ever battery storage option for Oman's Ibri III solar project

According to a senior official of Nama Power and Water Procurement Company (PWP), the single procurer of power and water capacity in the Sultanate of Oman, the ...

[Product Information](#)

## Container Energy Storage System

Elephant Power's Container Energy Storage System is a powerful, weather-resistant solution designed for industrial and commercial applications. Engineered to support both wind and ...

[Product Information](#)



### Understanding the Energy Capacity and Applications of BESS Containers

Explore how energy capacity and power ratings define BESS container performance. Learn the relationship between power and energy in battery storage, and ...

[Product Information](#)



[First large-scale energy storage project advances](#)

Energy Dome, as the supplier of the technology, will deliver the entire battery storage plant for the Oman project. Takhzeen, for its part, will install the plant, while owning ...

[Product Information](#)

Lithium battery parameters

Product capacity: 100Ah

Product size: 135\*197\*35mm

Product weight: 1.82kg

197mm  
/7.7in

Product voltage: 3.2V

internal resistance: within 0.5



## Contact Us

---

For catalog requests, pricing, or partnerships, please visit:  
<https://www.les-jardins-de-wasquehal.fr>